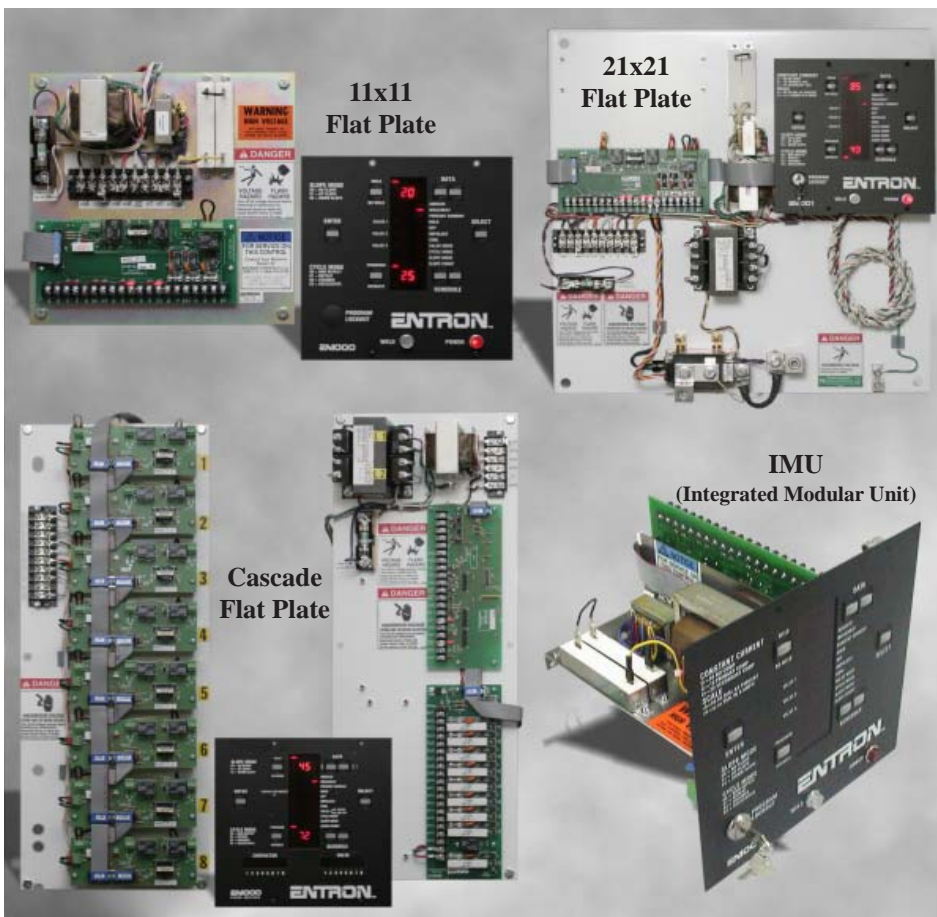


# ENTRON™

## FLAT PLATE CONTROLS



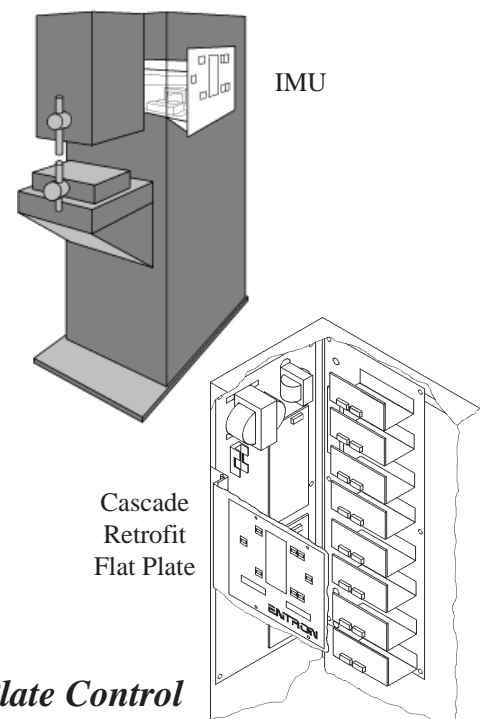
- *Use in Retrofit, New, or Custom Designs*
- *Keeps Shipping Costs Economical* – Use in situations where shipping weight is a factor.
- *Customize Designs to Match Existing Systems*
- *Low Cost*
- *Easily Serviced*
- *Multiple Options Available*
- *No Need to Replace Primary Wiring, Disconnect, and SCRs*
- *Replaces “Works in a Drawer” Chassis in Older European Machines*
- *Include Weld Control as Part of Machine Cabinet*

### Features

- Standard ENTRON product in component form
- Various ENTRON models available
- Four basic design choices
- Use to retrofit older ENTRON controls to current technology
- Use to retrofit competitor’s controls to current ENTRON technology; complete with special hardware and precautionary labeling

### Capabilities

- Multiple configurations allow integration into various machine types and styles
- Single contactor controls
- Multiple contactor controls
- Cascade Flat Plate designed to ease retrofit of older ENTRON controls
- Fires certain special SCR assemblies with integrated pulse transformer



*SCR Contactors available at discount when ordered with Flat Plate Control*

*Exclusive ENTRON two year warranty*

## Available Models

- EN1000
- EN1000 Cascade
- EN1001
- EN1001 Cascade
- EN1500
- EN2000

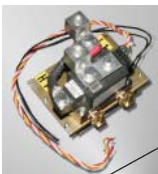
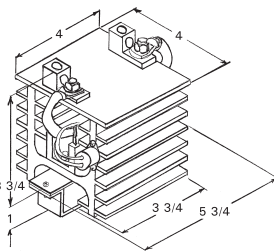
## Options

- Primary Coil  
– P2, P5, P10
- Secondary Coil  
– S6, S10
- RS232/485
- Pressure Control System (IPSC)
- Schedule Select (S49 or S99)
- Remote Data Entry (RDEjr.)
- Remote Terminal (RT4jr.)
- Memory Modules (MM2 or MM8)
- DC Valves
- Valve Select 1 of 7
- Terminal Strip Skip (TSS)
- Spanish Dial Plate Overlays

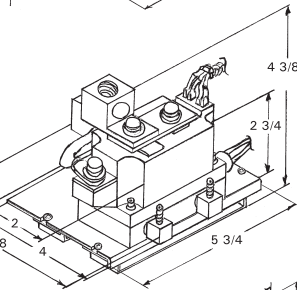
## Available SCR Contactor Assemblies For External Mounting



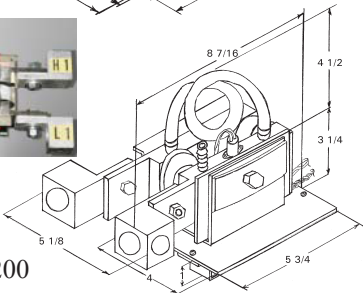
EN(X)-150 or  
EN(X)-300



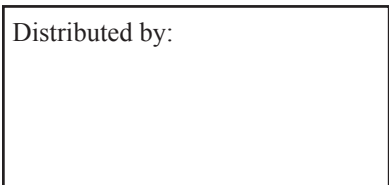
EN(X)-1200



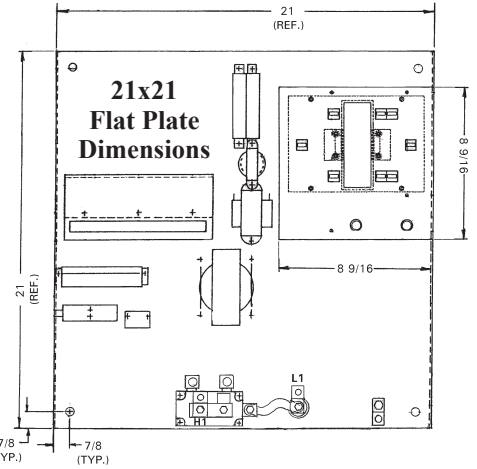
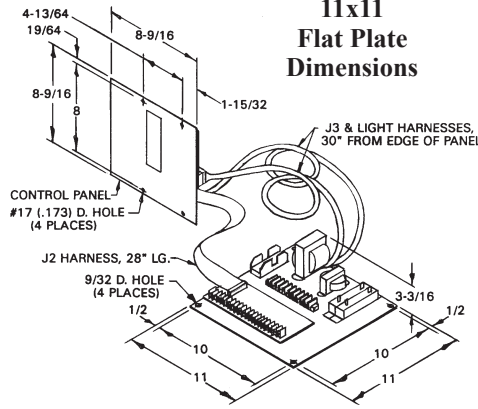
EN(X)-1800  
or EN(X)-2200



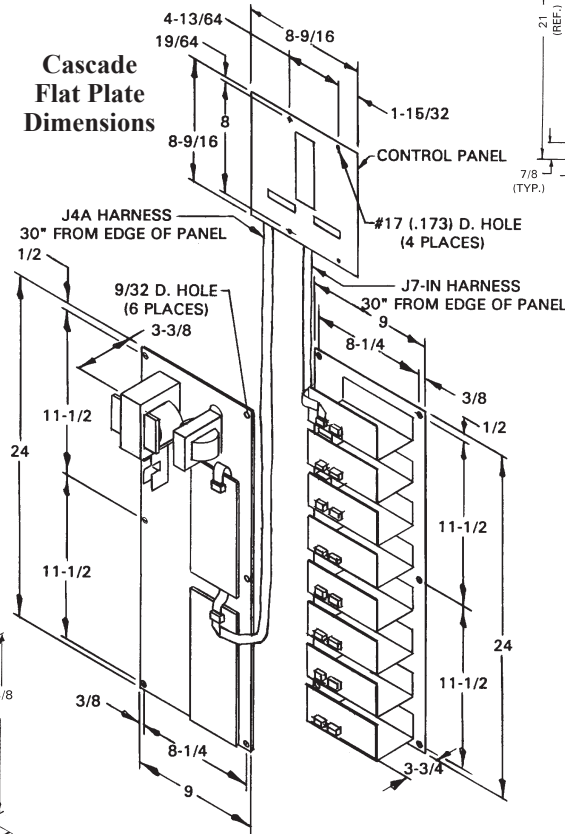
Distributed by:



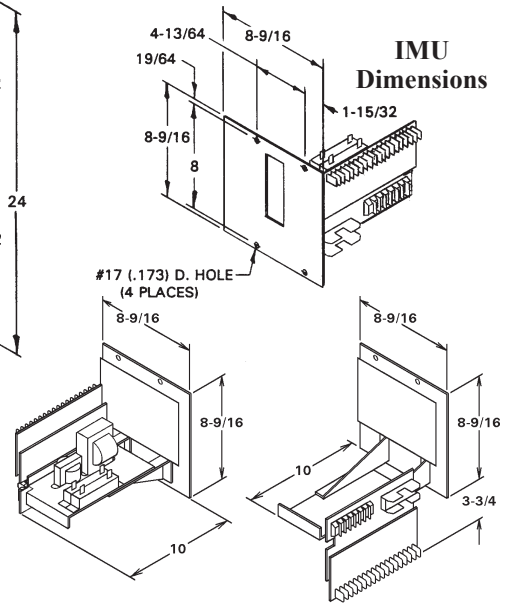
## 11x11 Flat Plate Dimensions



## Cascade Flat Plate Dimensions



## IMU Dimensions



**ENTRON™**  
Standard Resistance Welder Co

P.O. Box 268  
Winston, GA 30187  
770-949-2479  
Fax 770-489-1826

**RWMA**  
MEMBER

780084-0707