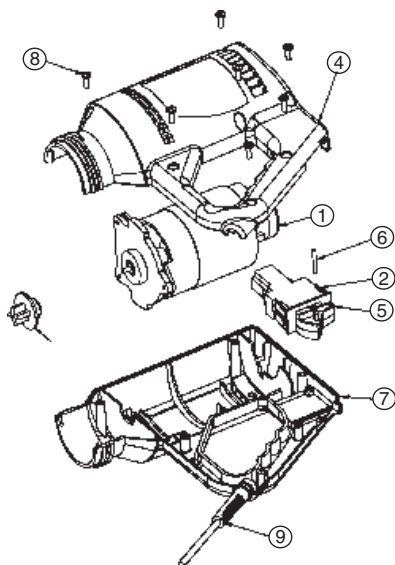




OPEN DRIP PROOF MOTOR SP-ODP SERIES



ITEM NO.	DESCRIPTION	PART NUMBER
1	Motor assembly	8900
2*	Overload switch 8.5 amp, 115V 5 amp, 220V	8611 8704 LVR
3*	Motor coupling	8333
4	Case right	8901
5	Actuator switch (2 req'd.)	8903
6	Pin rocker switch	8904
7	Case left	8902
8	Screw #8 x 1/2 L pan head Plastite (7 req'd.)	8905
9	Power cord w/strain relief & plug	115V 8361 220V 8706

! SP-ODP open motor should not be used to pump flammables.

*Parts interchange with all Standard electric motors